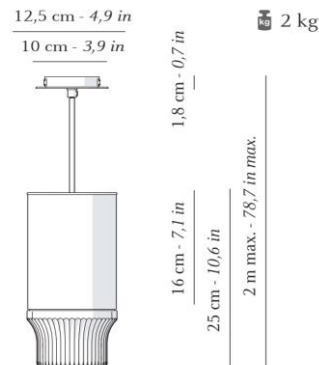


### TECHNICAL DATA SHEET

#### FEATURES

Product name	CADENCE H250 SUSPENSION PAPER LAMPSHADE
Code	1707-200 (EUROPE VERSION) 1707-200US (US VERSION) 1707-200JP (JAPAN VERSION) 1707-200CN (CHINA VERSION) 1707-200SA (SASO VERSION) 1707-200GB (UK VERSION) "-": 0 (Chrome-plated) / 1 (Golden)
Material	Crystal, stainless steel structure, paper lampshade
Electrical class	Class I
Voltage	220-240V 50/60Hz (EUROPE, CHINA, UK & SASO VERSION) 100-127V 50/60Hz (US & JAPAN VERSION)
Dimming	No
IP	20
Installation	Inside
Mounting	Suspension

#### SILHOUETTE



#### DIMENSIONS

Diameter	12,5 cm (4,9in)
Height	25 cm (10,6in)
Weight	2 kg

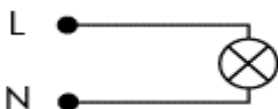
#### LAMPS

Category	HALOGEN
Quantity	1
Lbs	D45
Watt	50 W max.
Socket	E14 (EUROPE AND CHINA VERSION ) E12 (US AND JP VERSION)

#### ALTERNATIVE LAMP

Category	LED RETROFIT
Quantity	1
Watt	5 W ma.
Socket	E14 (EUROPE AND CHINA VERSION ) E12 (US AND JP VERSION)

#### ELECTRICAL DIAGRAM



#### MAINTENANCE

